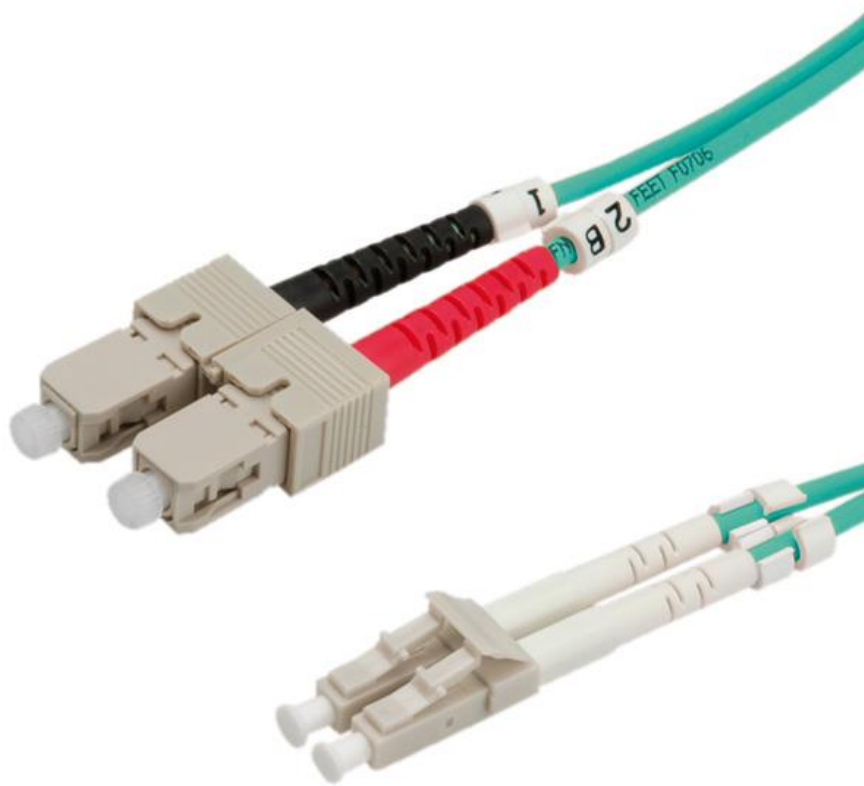




Datenblatt - Fiche technique - Data sheet

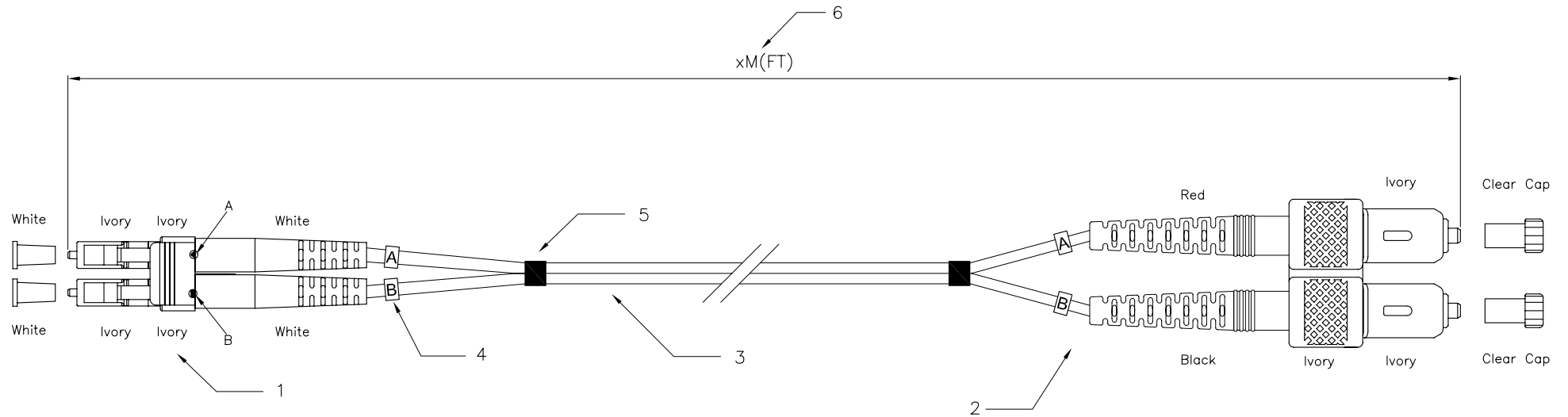
**21.15.8710**



ROLINE LWL-Kabel 50/125 $\mu$ m OM3, LC/SC, türkis, 0,5m

ROLINE Câble FO 50/125 $\mu$ m, LC/SC, OM3, turquoise, 0,5m

ROLINE Fibre Optic Jumper Cable, 50/125 $\mu$ m, LC/SC, OM3, turquoise, 0.5m



Specification:

- 1. Connector Type : LC Multimode
- 2. Connector Type : SC Multimode
- 3. Cable Type :  
 3-1 Zipcord Cable,  $\phi$ 2.0mm, 50/125um Multimode.(OM3 Corning Fiber)  
 3-2 Calbe Jacket : Aqua Color, PVC Material.
- 4. Cable Marker
- 5. Shrink Tube
- 6. Length : xM(FT)

Performance:

- a. Insertion Loss :  $<0.5$  dB
- b. Fiber Extention :  $-0.05\mu\text{m} < H < +0.05\mu\text{m}$
- c.  $\phi$ 1.25mm Ferrule End-face Radius :  $7 < R < 25\text{mm}$   
 $\phi$ 2.5mm Ferrule End-face Radius :  $8 < R < 25\text{mm}$
- d. Apex Offset :  $< 50\mu\text{m}$
- e. Increase in insertion loss after 500 mating : 0.2 dB Max
- f. Operating Temperature :  $-20^{\circ}$  to  $+70^{\circ}$
- g. Storage Temperature :  $-40^{\circ}$  to  $+80^{\circ}$

Remack#

21.15.8710	MultiMode, LC-SC,50/125 um	0.5M
21.15.8711	MultiMode, LC-SC,50/125 um	1M
21.15.8712	MultiMode, LC-SC,50/125 um	2M
21.15.8713	MultiMode, LC-SC,50/125 um	3M
21.15.8715	MultiMode, LC-SC,50/125 um	5M
21.15.8718	MultiMode, LC-SC,50/125 um	10M

GENERAL TOLERANCE OF DIMENSIONS X.XXX $\pm$ 0.005 X.XX $\pm$ 0.05 X.X $\pm$ 0.1	DRAWING	07.JAN.2011	Abby	<b>Rotronic Co.,LTd.</b>
	CHECK	07.JAN.2011	MAER	
	APPROVAL	07.JAN.2011	YTY	
		DATE	NAME	ITEM NO.: 21.15.XXXX 有吊卡
SCALE	1/1 (A4)	UNIT	mm	DES.: SC to LC Duplex patch cord
	DRAWING NO.	SFNIE502331xxxx03001(SA1)		A1
	DRAWING CLASSIFICATION	S	SHEET 1 OF 1	